

S120-C

SkyPanel is a compact, ultra-bright and high-quality LED soft light that sets a new standard for the industry. With a design focused on form, color, beam field and output, SkyPanel represents the culmination of more than a decade of research and development of LED technology at ARRI.

SkyPanel is available in several sizes: the S30, S60, S120, and S360. The S60 is a mid-range model, featuring a light aperture of 645 x 300 mm and accommodating the vast majority of applications. The S120 is twice as long as the S60, but weighs nearly the same. Its larger light aperture makes a great soft light even better. The S30 is a smaller, more portable version; half the length of the S60, it is perfect for on-the-go mobile applications. The S360 is the largest and brightest SkyPanel with four times the output of the S60 and almost six times the aperture size. The S360 is perfect for lighting large areas with tuneable, soft light. S30 and S60 models are available in fully color tuneable and remote phosphor versions.

Incorporating features of ARRI's successful L-Series LED Fresnels, SkyPanel is one of the most versatile soft lights on the market, as well as one of the brightest. Like the L-Series, SkyPanel 'C' (Color) versions are fully tuneable; correlated color temperature is adjustable between 2,800 K and 10,000 K, with excellent color rendition over the entire range. Full plus and minus green correction can be achieved with the simple turn of a knob, and in addition to CCT control, vivid color selection and saturation adjustment is also possible.

Unlike other tuneable fixtures, SkyPanel makes no sacrifice when it comes to light output. SkyPanel puts out a tremendous amount of light, in a soft and uniform beam field. Brighter than a 2 kW tungsten soft light or a 6 kW tungsten space light, the SkyPanel S120 has more than enough light for most applications. At the same time, the lamphead is able to perform beautifully at lower light levels. This range of illumination and color gives users an unprecedented amount of control.

Made in Germany to the high standards for which all ARRI products are known, SkyPanel is built to last – constructed from resilient materials and assembled by hand with great care. Other features include an on-board battery input for mobile applications, LAN port for network connectivity, USB-A port for firmware updates via thumb drive, and many more.



Photometric Data

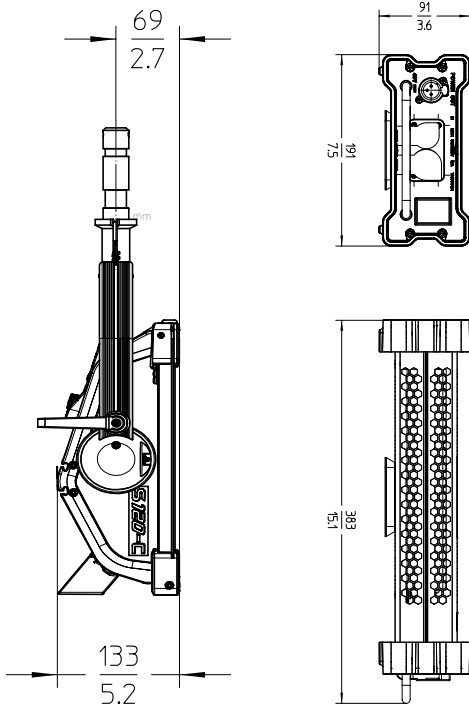
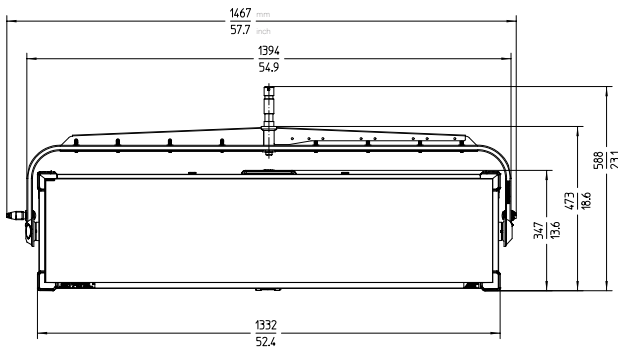
	3 m / 9.8 ft		5 m / 16.4 ft		7 m / 23.0 ft		9 m / 29.5 ft	
S120-C	3,200 K	5,600 K	3,200 K	5,600 K	3,200 K	5,600 K	3,200 K	5,600 K
S120-C with Standard Diffusion	1367 lx 127 fc	1244 lx 116 fc	492 lx 46 fc	448 lx 42 fc	251 lx 23 fc	229 lx 21 fc	152 lx 14 fc	138 lx 13 fc
S120-C with Lite Diffusion	1445 lx 134 fc	1311 lx 122 fc	520 lx 48 fc	472 lx 44 fc	265 lx 25 fc	241lx 22 fc	161 lx 15 fc	146 lx 14 fc
S120-C with Heavy Diffusion	1120 lx 104 fc	1022 lx 95 fc	403 lx 37 fc	368 lx 34 fc	206 lx 19 fc	188 lx 17 fc	124 lx 12 fc	114 lx 11 fc
S120-C with Intensifier	2151 lx 200 fc	1944 lx 181 fc	774 lx 72 fc	700 lx 65 fc	395 lx 37 fc	357 lx 33 fc	239 lx 22 fc	216 lx 20 fc

Order No. | Description

L0.0012956	S120-C, Manual, Blue/Silver, 3 m DC Cable, S60/S120 PSU with Rail Mount Adapter, Standard Diffusion Panel, powerCON Edison cable
L0.0012954	S120-C, Manual, Blue/Silver, 3 m DC Cable, S60/S120 PSU with Rail Mount Adapter, Standard Diffusion Panel, powerCON Schuko cable
L0.0013424	S120-C, Manual, Black, 3 m DC Cable, S60/S120 PSU with Rail Mount Adapter, Standard Diffusion Panel, powerCON Edison cable
L0.0012950	S120-C, Center Mount, Blue/Silver, 3 m DC Cable, S60/S120 PSU, Standard Diffusion Panel, powerCON Edison cable
L0.0012948	S120-C, Center Mount, Blue/Silver, 3 m DC Cable, S60/S120 PSU, Standard Diffusion Panel, powerCON Schuko cable
L0.0012953	S120-C, Pole Op, Blue/Silver, 1 m DC Cable, S60/S120 PSU with Rail Mount Adapter, Standard Diffusion Panel powerCON, Bare Ends
L0.0012952	S120-C, Pole Op, Black, 1 m DC Cable, S60/S120 PSU with Rail Mount Adapter, Standard Diffusion Panel powerCON, Bare Ends

SKYPANEL[®]
SOFT LIGHTING | REDEFINED

Technical Specifications



Lamphead	
Optical System	Soft Diffusion Panel
Light Aperture	1290 x 300 mm / 50.8 x 11.8"
Beam Angle	110° (Half Peak Angle)
Weight	Center Mount: 13.7 kg / 30.2 lbs Manual Version: 16 kg / 35.3 lbs Pole Op Version: 19.6 kg / 43.2 lbs
Handling	Aluminum Yoke, High Strength Tilt Lock, Pole Operation Option (Pan & Tilt)
Mounting	28 mm Spigot (Junior Pin)
Tilt Angle	+/- 90°
Lamphead Voltage Input	48 V DC
Power Consumption	400 W Nominal, 430 W Maximum
Lamphead Power Connection	Male 3-Pin XLR to 15 Amp (Pin 1: Negative / Pin 2: Positive)
Battery Connector	Male 4-Pin XLR to 10 Amp (Pin 1: Negative / Pin 4: Positive)
Battery DC Voltage Range	23 to 36 V DC
Battery Mode Light Output	50 % of total output
White Light	2,800 K to 10,000 K continuously variable correlated color temperature
Colored Light	Full RGB+W color gamut with Hue and Saturation control
Color Temperature Tolerance	+/- 100 K (nominal), +/- 1/8 Green-Magenta (nominal)
Color Rendition	CRI Average > 95 TLCI Average > 90
Green-Magenta Adjustment	continuously adjustable (Full Minusgreen to Full Plusgreen)
Dimming	0 to 100 % continuous
Control	On-Board Controller, 5-Pin DMX In and Through, EtherCon LAN network connectivity, USB-A, Art-Net
Remote Device Management (RDM)	DMX Setup, Hour Counter and Standard RDM commands
Software Interface	Ethernet: DMX Setup, Fixture Status and Firmware Upgrade through PC, Mac USB-A: Software Upgrade via flash drive
Housing Color	Blue/Silver, Black
Ambient Temperature Operation	-20 to +45° C (-4 to +113° F)
Protection Class / IP Rating	III / IP20
Estimated LED Lifetime (L70)	50,000 hours
Estimated Color Shift Over Lifetime (CCT)	+/- 5 %
Certifications	CE, CB, ENEC, cNRTLus, FCC, PSE

Power Supply Unit	
Power Supply Input Range	110 to 240 V ~, 50/60 Hz
Power Supply Output Range	48 V DC
Power Input Connection	powerCON TRUE1 (Bare Ends / Schuko / Edison cables available)
Power Output Connection	Female 3-Pin XLR to 10 Amp (Pin 1: Negative / Pin 2: Positive) powerCON TRUE1 (mains power through)
Weight	3.5 kg / 7.7 lbs
Dimensions	383 x 191 x 91 mm / 15.1 x 7.5 x 3.6"
Control	On-Board On/Off Switch
Mounting	SkyPanel PSU Super Clamp Adapter / Rail Mount Adapter
Certifications	CE, CB, ENEC, cNRTLus, PSE

All specifications are nominal / typical values.

SKYPANEL
SOFT LIGHTING | REDEFINED