

# S30-RP

SkyPanel is a compact, ultra-bright and high-quality LED soft light that sets a new standard for the industry. With a design focused on form, color, beam field and output, SkyPanel represents the culmination of more than a decade of research and development of LED technology at ARRI.

SkyPanel is available in several sizes: the S30, S60, S120, and S360. The S60 is a mid-range model, featuring a light aperture of 645 x 300 mm and accommodating the vast majority of applications. The S120 is twice as long as the S60, but weighs nearly the same. Its larger light aperture makes a great soft light even better. The S30 is a smaller, more portable version; half the length of the S60, it is perfect for on-the-go mobile applications. The S360 is the largest and brightest SkyPanel with four times the output of the S60 and almost six times the aperture size. The S360 is perfect for lighting large areas with tuneable, soft light.

In addition to the fully tuneable color versions of the SkyPanel, remote phosphor versions are also available for S30 and S60. To make white LEDs, phosphors are typically placed directly on a single blue LED. Remote phosphor technology uses many powerful blue LEDs to excite a panel coated in phosphors, which is positioned further away from the LEDs. These high-quality phosphors deliver near-perfect color rendition and outstanding light output. The remote phosphor versions of SkyPanel are roughly 10 % brighter than the color versions and have a lower price point due to less complex electronics. Different color temperature panels are available, including 2,700 K; 3,200 K; 4,300 K; 5,600 K; 6,500 K; 10,000 and Chroma Green.

Unlike other tuneable fixtures, SkyPanel makes no sacrifice when it comes to light output. SkyPanel puts out a tremendous amount of light, in a soft and uniform beam field. Brighter than a 1 kW tungsten soft light or a 3 kW tungsten space light, the SkyPanel S30 has more than enough light for most applications. At the same time, the lamphead is able to perform beautifully at lower light levels. This range of illumination and color gives users an unprecedented amount of control.

Made in Germany to the high standards for which all ARRI products are known, SkyPanel is built to last – constructed from resilient materials and assembled by hand with great care. Other features include an on-board battery input for mobile applications, LAN port for network connectivity, USB-A port for firmware updates via thumb drive, and many more.



## Photometric Data

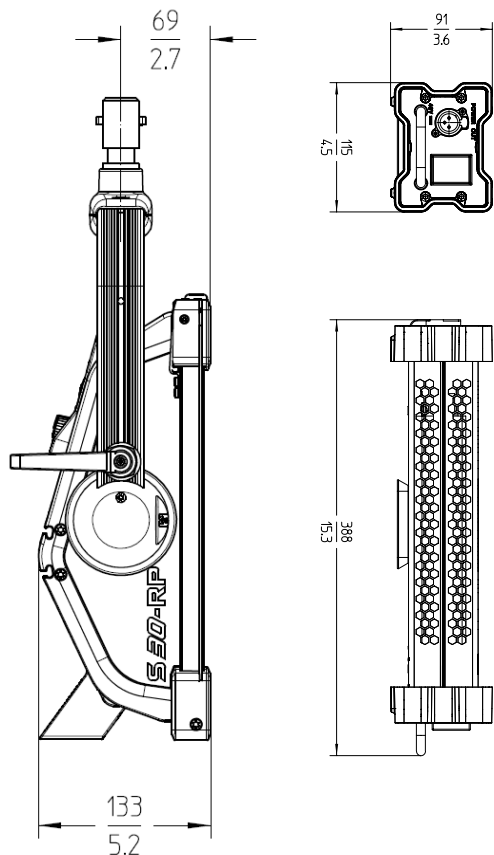
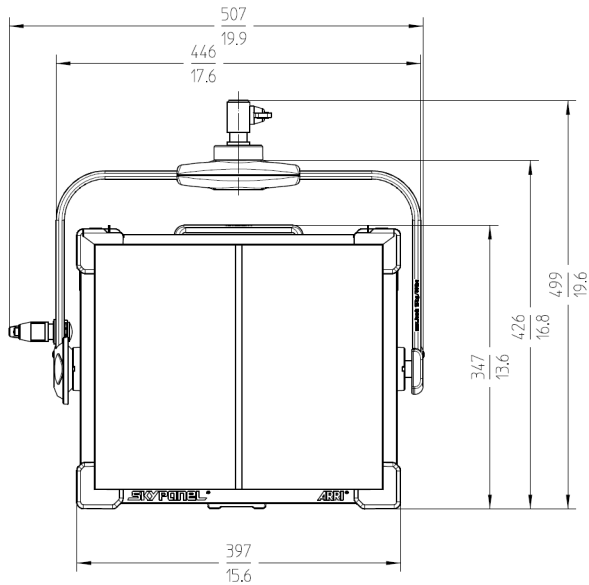
	3 m / 9.8 ft	5 m / 16.4 ft	7 m / 23 ft	9 m / 29.5 ft
<b>S30-RP</b>				
S30-RP: 2,700 K	469 lx / 44 fc	169 lx / 16 fc	86 lx / 8 fc	52 lx / 5 fc
S30-RP: 3,200 K	494 lx / 46 fc	178 lx / 17 fc	91 lx / 8 fc	55 lx / 5 fc
S30-RP: 4,300 K	561 lx / 52 fc	202 lx / 19 fc	103 lx / 10 fc	62 lx / 6 fc
S30-RP: 5,600 K	563 lx / 52 fc	203 lx / 19 fc	103 lx / 10 fc	63 lx / 6 fc
S30-RP: 6,500 K	569 lx / 53 fc	205 lx / 19 fc	104 lx / 10 fc	63 lx / 6 fc
S30-RP: 10,000 K	589 lx / 55 fc	212 lx / 20 fc	108 lx / 10 fc	65 lx / 6 fc
S30-RP: Chroma Green	943 lx / 88 fc	340 lx / 32 fc	173 lx / 16 fc	105 lx / 10 fc

## Order No. | Description

L0.0007717	S30-RP; 3,200 K; Manual; Blue/Silver; 3 m DC Cable; S30 PSU with Rail Mount Adapter; Remote Phosphor Panel 3,200 K; powerCON Edison cable
L0.0007718	S30-RP; 3,200 K; Manual; Blue/Silver; 3 m DC Cable; S30 PSU with Rail Mount Adapter; Remote Phosphor Panel 3,200 K; powerCON Schuko cable
L0.0007721	S30-RP; 3,200 K; Pole Op; Blue/Silver; 1 m DC Cable; S30 PSU with Rail Mount Adapter; Remote Phosphor Panel 3,200 K; powerCON Bare Ends
L0.0007722	S30-RP; 3,200 K; Pole Op; Black; 1 m DC Cable; S30 PSU with Rail Mount Adapter; Remote Phosphor Panel 3,200 K; powerCON Bare Ends
L0.0007723	S30-RP; 5,600 K; Manual; Blue/Silver; 3 m DC Cable; S30 PSU with Rail Mount Adapter; Remote Phosphor Panel 5,600 K; powerCON Edison cable
L0.0007724	S30-RP; 5,600 K; Manual; Blue/Silver; 3 m DC Cable; S30 PSU with Rail Mount Adapter; Remote Phosphor Panel 5,600 K; powerCON Schuko cable
L0.0007726	S30-RP; 5,600 K; Pole Op; Blue/Silver; 1 m DC Cable; S30 PSU with Rail Mount Adapter; Remote Phosphor Panel 5,600 K; powerCON Bare Ends
L0.0007727	S30-RP; 5,600 K; Pole Op; Black; 1 m DC Cable; S30 PSU with Rail Mount Adapter; Remote Phosphor Panel 5,600 K; powerCON Bare Ends

**SKYPANEL**  
SOFT LIGHTING | REDEFINED

## Technical Specifications



### Lamphead

Optical System	Remote Phosphor Panel
Light Aperture	355 x 300 mm / 14 x 11.8"
Beam Angle	115° (Half Peak Angle)
Weight	Manual Version: 7.4 kg / 16.3 lbs Pole Op Version: 9.0 kg / 20 lbs
Handling	Aluminum Yoke, High Strength Tilt Lock, Pole Operation Option (Pan & Tilt)
Mounting	16 mm / 28 mm Combo Pin (Baby 5/8" / Junior 1-1/8" Combo Pin)
Tilt Angle	+/- 90°
Lamphead Voltage Input	48 V DC
Power Consumption	190 W Nominal, 200 W Maximum
Lamphead Power Connection	Male 3-Pin XLR - 15 Amp (Pin 1: Negative / Pin 2: Positive)
Battery Connector	Male 4-Pin XLR - 10 Amp (Pin 1: Negative / Pin 4: Positive)
Battery DC Voltage Range	23 to 36 V DC
Battery Mode Light Output	100 % of total output
White Light	Changeable Remote Phosphors Panels: 2,700 K; 3,200 K; 4,300 K; 5,600 K; 6,500 K; 10,000 K & Chroma Green
Color Temperature Tolerance	4 to 5 SDCM
Color Rendition	2,700K: CRI > 98, TLCI > 98 3,200K: CRI > 98, TLCI > 98 4,300K: CRI > 97, TLCI > 96 5,600K: CRI > 97, TLCI > 96 6,500K: CRI > 96, TLCI > 94 10,000K: CRI > 92, TLCI > 88
Dimming	0 to 100 % continuous
Control	On-Board Controller, 5-Pin DMX In and Through, EtherCon LAN network connectivity, USB-A, Art-Net
Remote Device Management (RDM)	DMX Setup, Hour Counter and Standard RDM commands
Software Interface	Ethernet: DMX Setup, Fixture Status and Firmware Upgrade through PC, Mac USB-A: Software Upgrade via flash drive
Housing Color	Blue/Silver, Black
Ambient Temperature Operation	-20 to +45° C (-4 to +113° F)
Protection Class / IP Rating	III / IP20
Estimated LED Lifetime (L70)	50,000 hours
Estimated Color Shift Over Lifetime (CCT)	+/- 5 %
Certifications	CE, CB, ENEC, cNRTLus, FCC, PSE

### Power Supply Unit

Power Supply Input Range	110 to 240 V ~, 50/60 Hz
Power Supply Output Range	48 V DC
Power Input Connection	powerCON TRUE1 (Bare Ends / Schuko / Edison cables available)
Power Output Connection	Female 3-Pin XLR - 10 Amp (Pin 1: Negative / Pin 2: Positive) powerCON TRUE1 (mains power through)
Weight	2.1 kg / 4.6 lbs
Dimensions	388 x 115 x 91 mm / 15.3 x 4.5 x 3.6"
Control	On-Board On/Off Switch
Mounting	SkyPanel PSU Super Clamp Adapter / Rail Mount Adapter
Certifications	CE, CB, ENEC, cNRTLus, PSE

All specifications are nominal / typical values.

